

Back

- o Flat Cable Connectors SEK
- o *har-mik®*
- o D-Sub
- o InduCom

➔ Applications



Product details

09 16 042 3101

Female insert, Han 42 DD

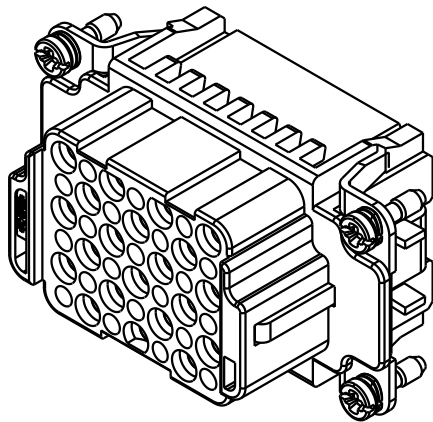
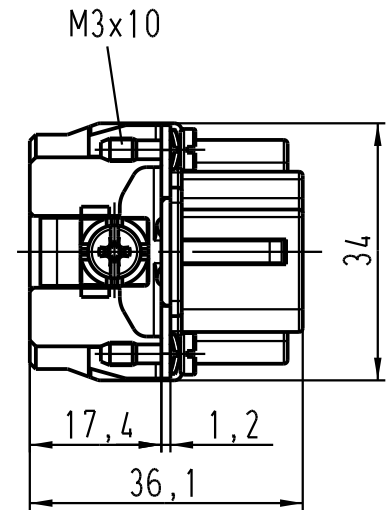
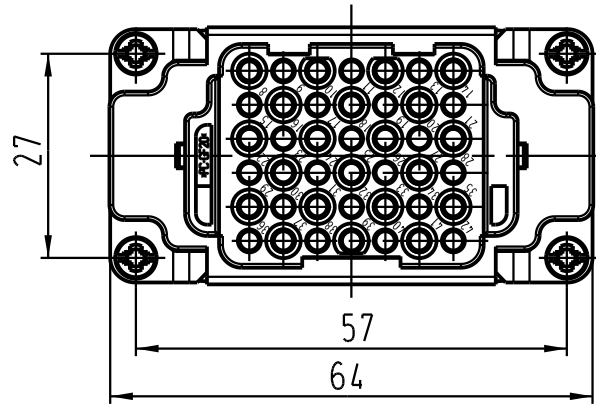
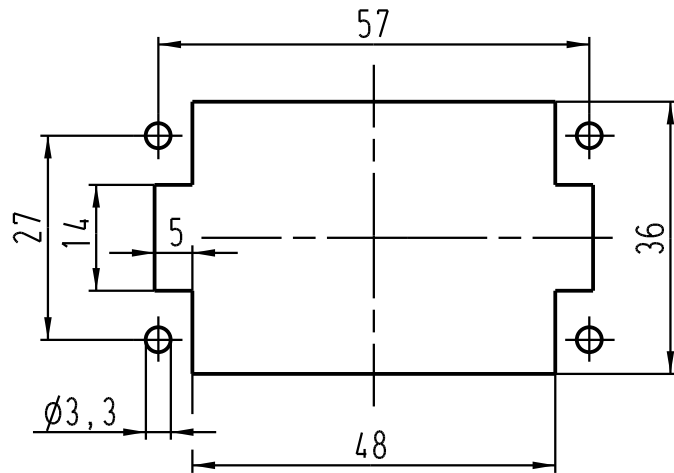
Series	Han DD®
Number of contacts	42 poles + PE
Size of hood/ housing	Han® 10 B
Termination	Crimp termination
Insert material	Standard material
Contacts	Order separately
Electrical data	10 A 250 V 4 kV 3
RoHS compliant	Yes



Available Downloads

Title	Format	
Data sheet	PDF	↓ download
CAD data 2D	DXF	↓ download
CAD data 3D	IGES	↓ download

Inquiry

Montageausschnitt/
panel cut out



 All Dimensions in mm Original Size DIN A 4		Techn. Character.			Nicht tolerierte Masse/ Free size tolerances	
			Dat.	Name	Massstab/Scale 1:1	Han 42DD-F-c Buchseneinsatz / female insert
		Detail.	13.10.03	Ho		
		Insp.		KR		
		Stand.				
410513		HARTING Electric GmbH & Co. KG				TB 09 16 042 3101
Mod.	Dat.	Name	D-32339 Espelkamp			